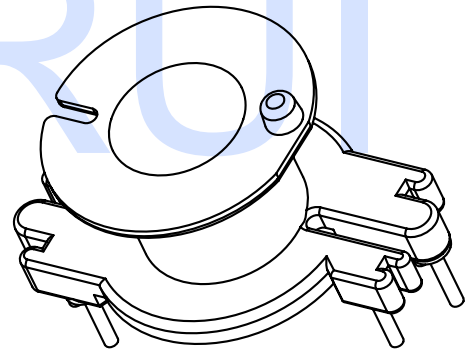
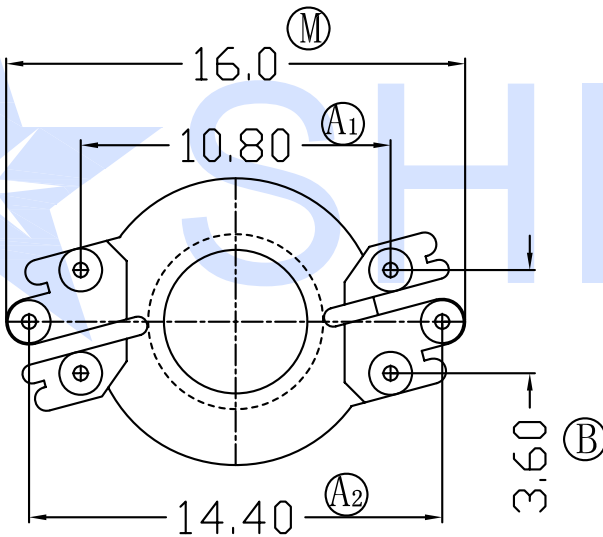
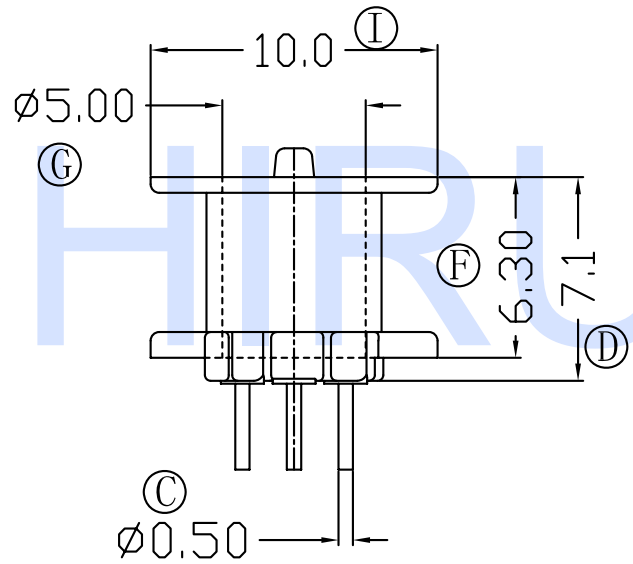
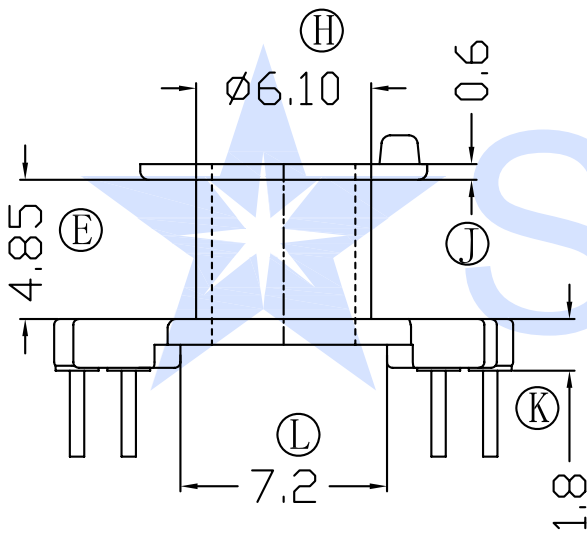


P/N

SR-RM 0501



Hefei Shirui Electronic Technology Co.,Ltd

TEL: (0086) 55165232650

sales@shiruitech.com

www.shiruitech.com

SR NO. SR-RM 0501	MATERIAL: PHENOLIC	UNIT: mm	DRN.	WILL H
MODEL NAME: RM6-6P-1S H	UL REC: UL 94V-0	TOLERANCE	CHD.	IRINA LEE
	ANGLE: \pm°	0 L 4 ± 0.10	ISSD.	JAMES HU
	SCALE 1:1	4 L 16 ± 0.20		
		16 L 64 ± 0.30		
		PIN PITCH ± 0.05		